



ADVANTAGE RAIL

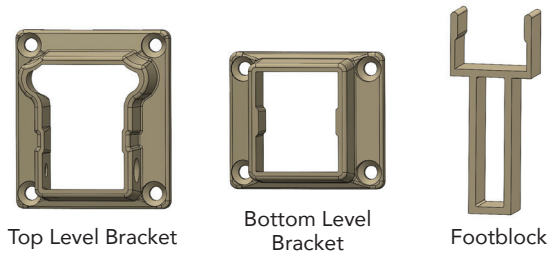
ALUMINUM RAILING INSTALLATION GUIDE

RECOMMENDED TOOLS

- | | |
|-------------------------|------------------------------------|
| Safety Glasses | Power Drill w/Square Bit Driver |
| Tape Measure and Pencil | Hammer Drill (if concrete install) |
| Saw w/Carbide Tip Blade | 1/2" Wrench or Socket |
| Rubber Mallet | |
| Level | |

WHAT'S INCLUDED

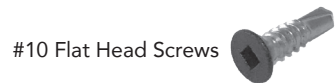
- | | |
|-------------------|----------------------------------|
| Top Rail | Footblock (for 7' & 8' sections) |
| Bottom Rail | (26) #10 Flat Head Screws |
| Pickets | |
| Mounting Brackets | |



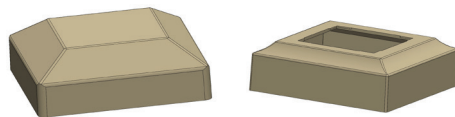
Top Level Bracket

Bottom Level Bracket

Footblock

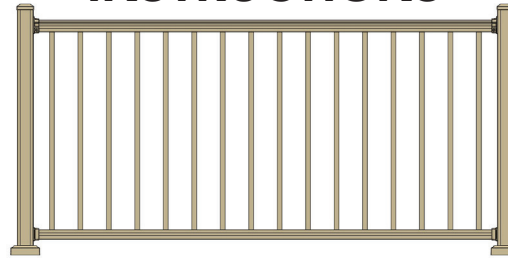


#10 Flat Head Screws



Posts, caps and trims sold separately

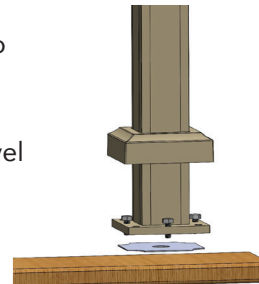
INSTRUCTIONS



A. Install Railing Post and Post Trim

(Sold Separately)

1. Space posts according to application and section length.
2. Place leveling plate between post and mounting surface.
3. Attach to structural surface using bolts or lags (not included).
4. Partially tighten prior to leveling.
5. Using a 1/2" wrench or socket, turn bolts to level post.
6. Then fully tighten lags/bolts. Install post trim.



*Check your local building codes to determine structural mounting requirements for post.

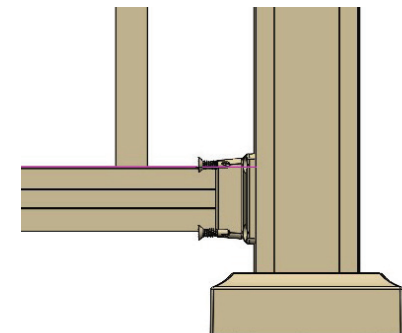
Cutting Tip

Be sure to use a carbide tip blade approved for cutting aluminum and rest rails on a piece of non-abrasive material to protect from scratches.

B. Attach Bottom Rail

1. Measure between posts subtracting 1/4" from the total length, and if necessary cut rail to proper length leaving equal space from the last picket to the end of the rail on each end.
2. Cut a block to 2-1/2" to set bottom rail on for support during installation.
3. Slide the bracket over the rail and put the rail in place (2-1/2" above deck surface).
4. Slide the self-centering bracket against the post.
5. Fasten bracket to post and secure bracket to railing using provided #10 flat-head screws.

*Recommended: (If using 2-1/2" posts) offset each perpendicular section by raising it an additional 1/8" (helps avoid mounting bracket screw interference).



OVER

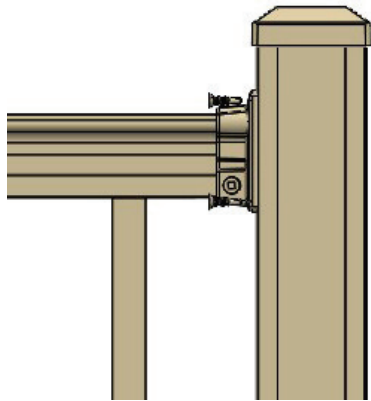
C. Install Pickets

1. Insert pickets into the holes in the bottom rail.
2. Push firmly to set.

D. Attach Top Rail

1. Place top rail at a minimum of 36" from surface to top of rail.
2. Fasten bracket to post and secure bracket to railing using provided #10 flat-head screws.
3. Place cap on post and use a rubber mallet to set in place.

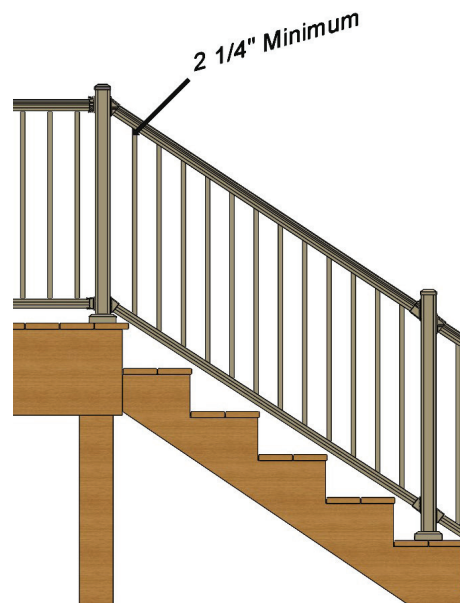
*Tip: If cap is not a snug fit, adhere using clear silicone.



E. Stair Rail Installation

1. Measure from inside edge between posts, subtracting 1/4" from total length, and if necessary cut rail to proper length leaving equal space from the last picket to the end of the rail on each end.
2. A minimum of 2-1/4" spacing is required between end pickets and post.
3. To ensure rails align properly, cut upper and lower ends of top and bottom rails at opposite angles.

Repeat steps B through D to install rails, brackets and pickets.



Rail Height

Ensure that the stairs' top rail doesn't exceed the height of the level rail. Pickets may need to be trimmed to length.

Note: Always check local building codes to ensure compliance.

- These directions are only a guide and may not address every situation.
- Always wear proper safety equipment while assembling and installing.
- The installer should obtain all required building permits and follow all installation procedures in accordance with applicable building code requirements.
- JAM Systems shall not be held liable for improper or unsafe installations.
- Applying paint, other than JAM Systems touch up paint, will void your warranty.



Manufactured in the U.S.A.

